

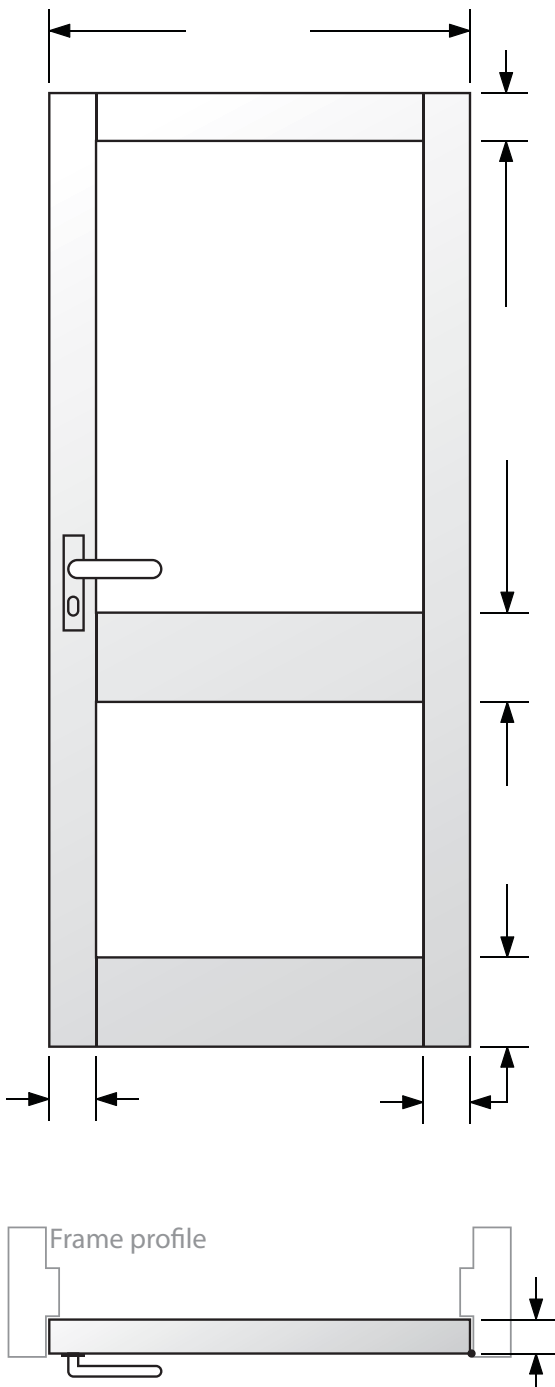
Spence Doors Technical Detail

Joinery Order Form - Double Lite Doors

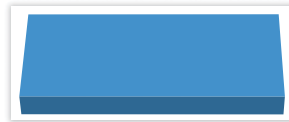
TECH SHEET 2 | JOINERY

Choose a The Overall Dimensions

Fill in the top, bottom and side rail widths.



Choose timber.



MDF - for two pack finish.



Cedar - for stain or paint



Victorian Ash - for stain or paint

OTHER: _____

Choose Glass type.

- Toughened Clear Glass
- Laminated Clear Glass
- Laminated Translucent Glass
- Other _____ mm thickness.



Select Glazing bead.

